

REV	REVISION AMENDMENTS	SIGNATURE	DATE
A	ISSUED FOR PRICING ONLY	ALAN STRONG	16 DECEMBER 2014
O	ISSUED FOR CONSTRUCTION	ALAN STRONG	15 MARCH 2015

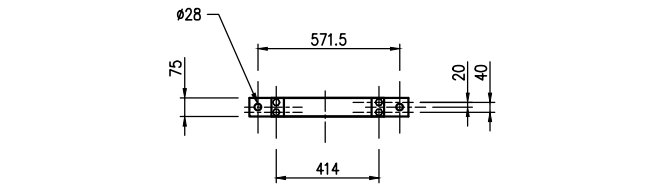
Alliance Group
Project Engineering
P.O. BOX 1410, INVERCARGILL, NEW ZEALAND
Telephone: (03) 215-6400 Fax: (03) 215-6401

DISCHARGE INTO BOILER STREAM POND 6

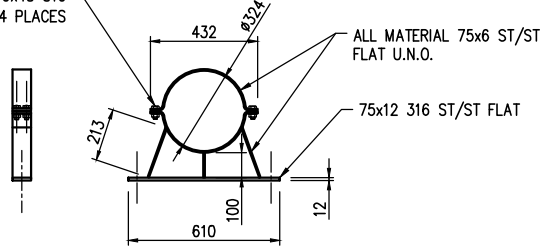
PLANT: LORNEVILLE

DESIGNED	PATILE DELAMORE PARTNERS	SHEET	1
DRAWN	ALAN STRONG		
CHECKED		TOTAL NUMBER OF SHEETS	2
DATE	16 DECEMBER 2014		
SCALE	AS SHOWN	DRAWING No:	L-050-13082-G
		REV:	0

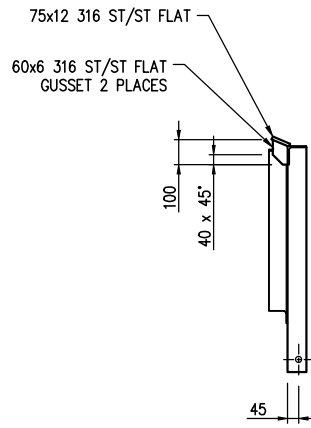
P:\CAD\lornville\2014 Proposals\River Discharge.dwg, 16/03/2015 9:47:03 a.m., DWG To PDF.pc3



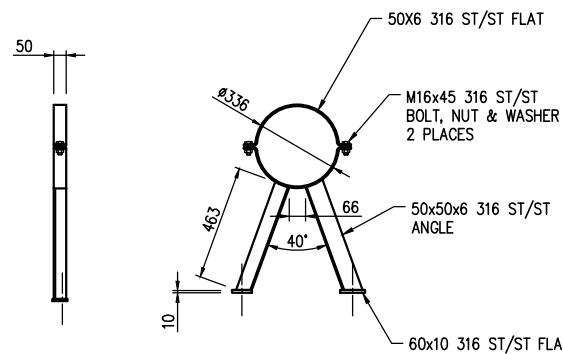
DRILL FOR M16x45 316 ST/ST BOLTS, 4 PLACES



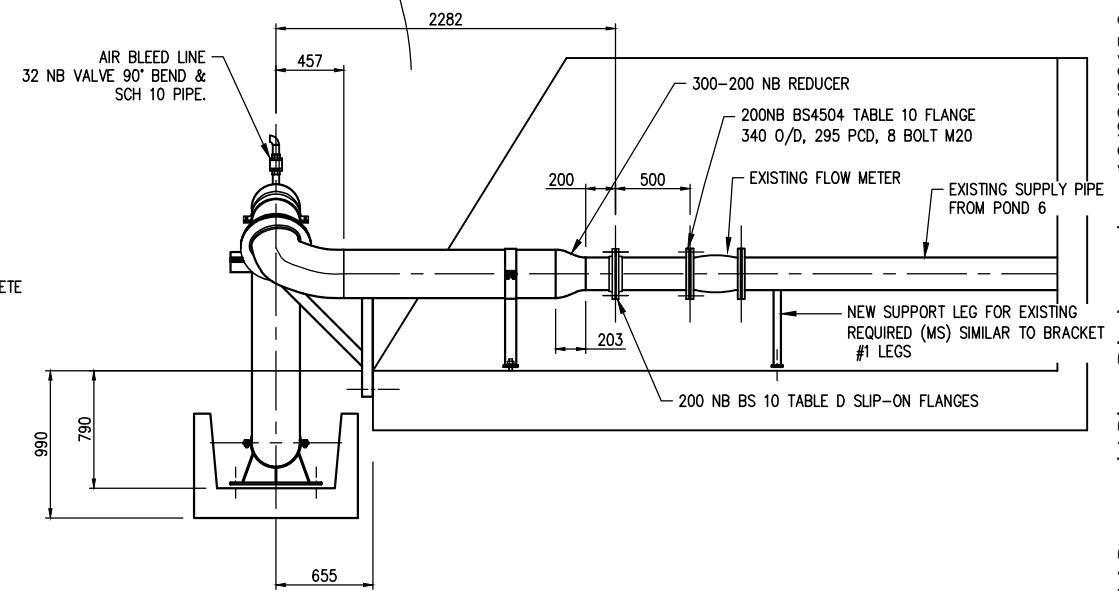
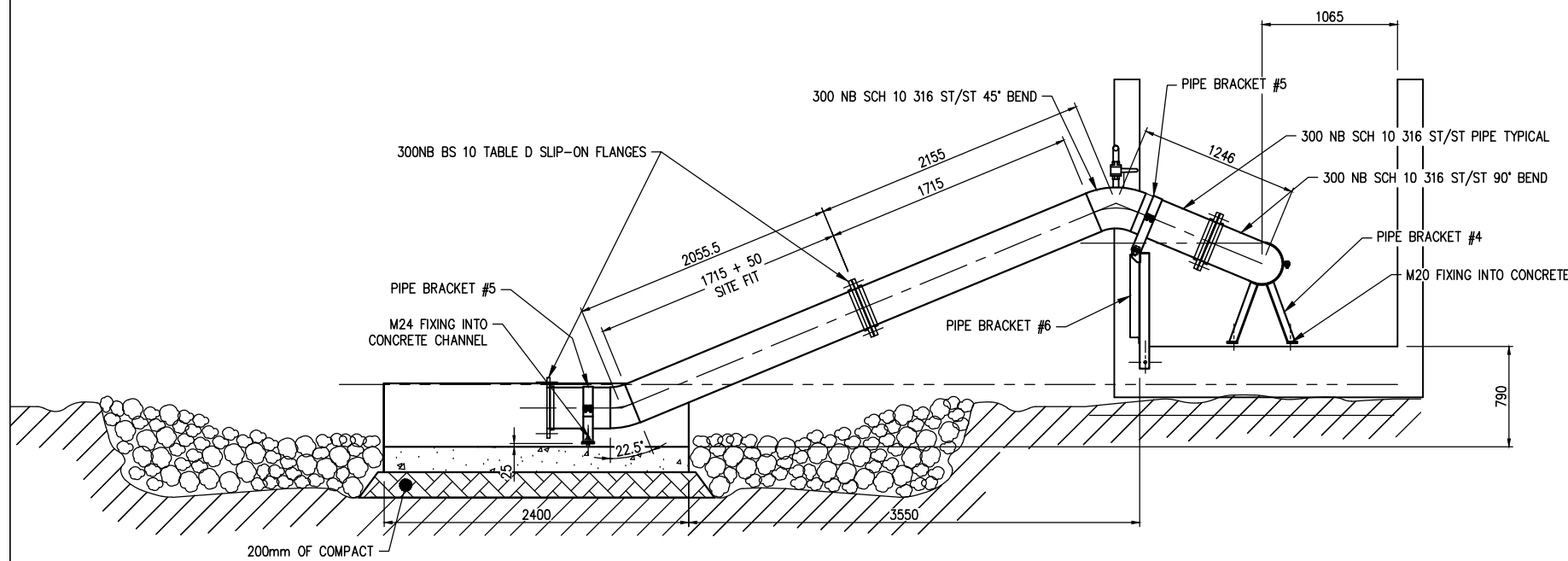
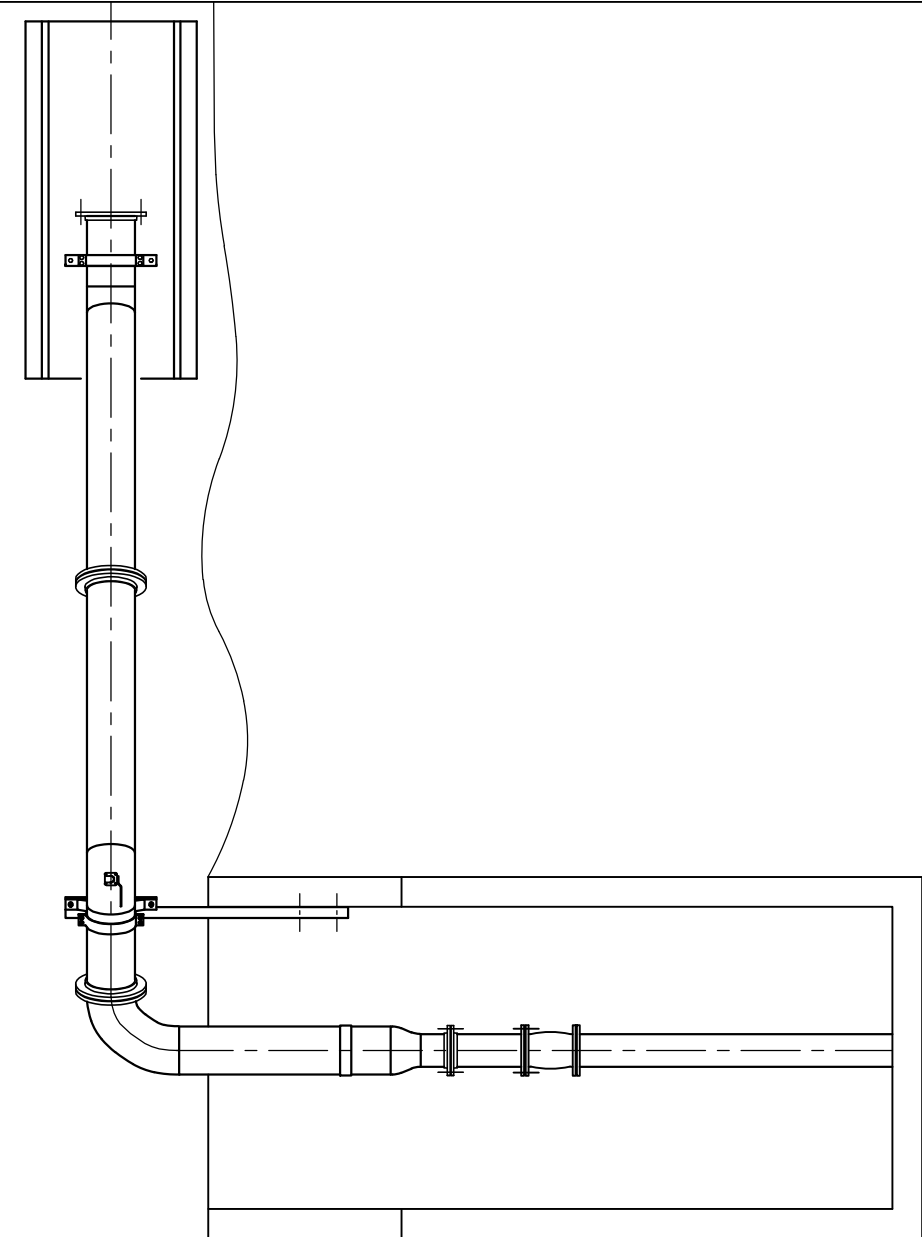
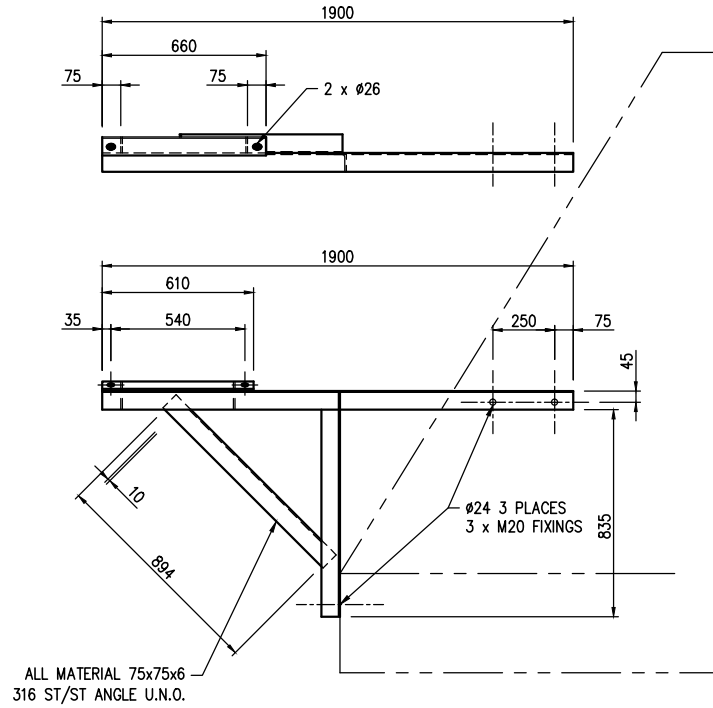
PIPE BRACKET #5
2 REQ'D
SCALE 1:15



SUPPORT BRACKET #6
1 REQ'D
SCALE 1:15



PIPE BRACKET #4
1 REQ'D
SCALE 1:15



REV	REVISION AMENDMENTS	SIGNATURE	DATE
A	ISSUED FOR PRICING	ALAN STRONG	25 DECEMBER 2014
O	ISSUED FOR CONSTRUCTION	ALAN STRONG	15 MARCH 2015

SIGNATURE	DATE
ALAN STRONG	25 DECEMBER 2014
ALAN STRONG	15 MARCH 2015



Project Engineering

P.O. BOX 1410, INVERCARGILL, NEW ZEALAND

Telephone: (03) 215-6400 Fax: (03) 215-6401

**DISCHARGE INTO BOILER STREAM
POND 5**

PLANT: LORNEVILLE

DESIGNED	POP	SHEET	2
DRAWN	ALAN STRONG		
CHECKED		TOTAL NUMBER OF SHEETS	2
DATE	25 DECEMBER 2014		
SCALE	1:25, 1:15	DRAWING No: L-050-13082-G	REV: 0